



You like knowing you're on the route to success.

www.airbridgecargo.com



IOSA Registered Operator



Member



You like reaching new heights.



AirBridgeCargo Airlines at-a-glance

AirBridgeCargo Airlines (ABC) was launched in 2004 as a division of Volga-Dnepr Group to perform international scheduled cargo services. Today, it is one of the leading international cargo airlines and a recognized leader in the Russian market. ABC transports its customers' freight all over the world, connecting shippers and consignees in Europe and the Middle East, North America, Asia and Russia.

Throughout its development, the airline has achieved strong growth, reporting a compound average tonnage increase of 17% in the last five years. ABC's remarkable performance is based on its focus and determination to build long-term relationships with customers around the world and deliver best-in-class service, both in the air and on the ground. The airline is committed to operating to the highest industry standards.

« It's so rewarding to be part of a team that values tried and true industry principles but combines them with innovative ideas. It's this mindset that allows us to keep growing and take our customers' businesses anywhere they want to be. That's why we love our job. »



You like being globally connected.



AirBridgeCargo Airlines around the world

AirBridgeCargo is already one of the fastest-growing international scheduled cargo airlines. Since the airline's initial B747 flight took off from Moscow on its way to Beijing, ABC has achieved fourteen years of consecutive growth. Over the years, ABC has successfully expanded its network and cargo capacity, adding much needed support for customers in a challenging air cargo market. The carrier's success and growth are being spearheaded by the effective realization of its fleet expansion strategy, the development of solutions for special cargoes, the introduction of new destinations and the upgrading of existing ones as ABC continues to respond proactively to the capacity and service requirements of its customers worldwide.

Today, ABC is a sound name associated with quality and unparalleled service when it comes to charter flights using its 747 freighters. The airline's fleet of 18 Boeing 747 freighters is one of the youngest in the world, and in high demand among customers internationally – especially when it comes to delivering special cargo shipments.

Around the world AirBridgeCargo Airlines is respected and known for international expertise, highest quality service and its commitment to making air cargo shipments as fast and easy as possible for customers.





 **You like business solutions that deliver.**

« Exceeding expectations is one of our cardinal rules. We go above and beyond to make sure we meet the needs of our customers – their success is our success. That's why we love our job. »

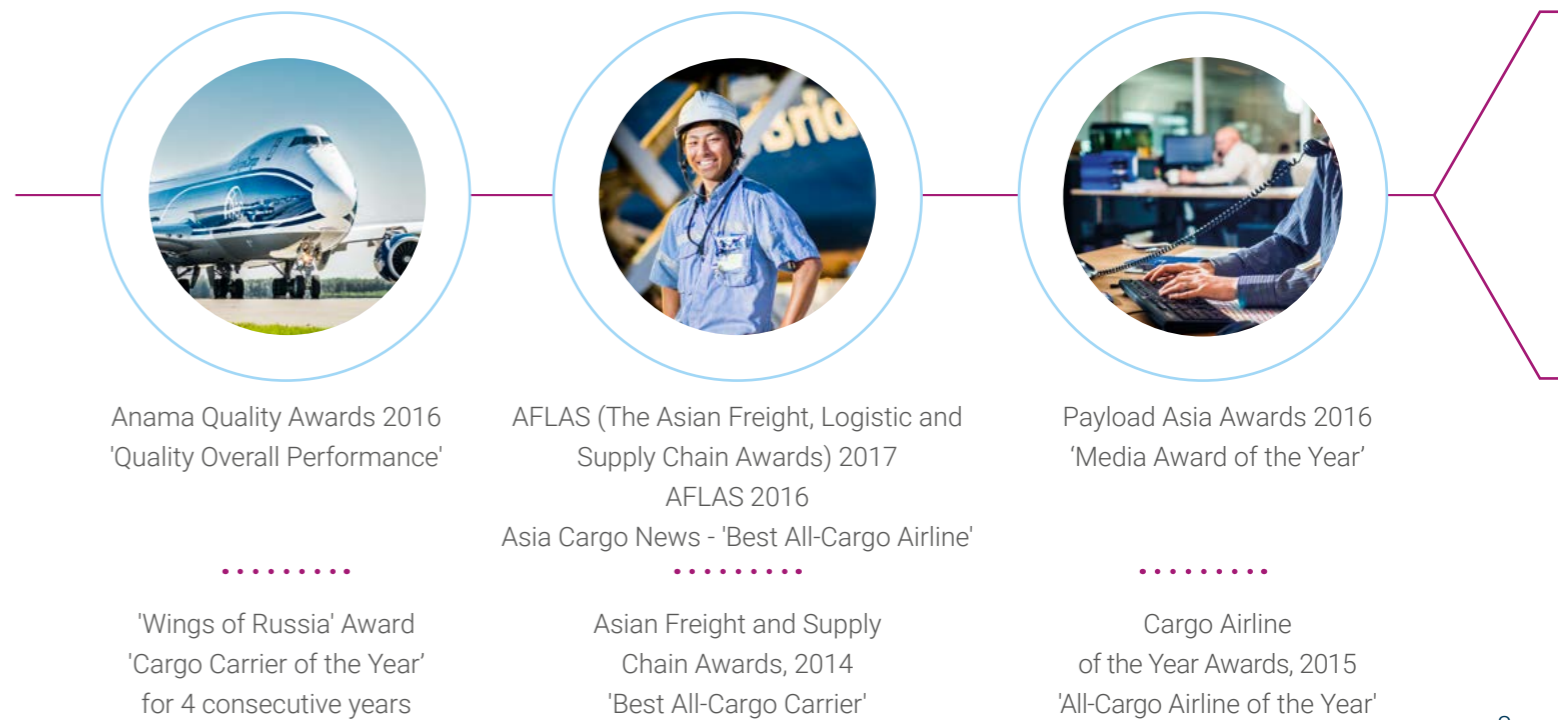
We put our customers first in everything we do

Understanding the needs of our clients is one of the major contributing factors in the company's development and meeting these needs is the goal of the more than 1,300 ABC employees worldwide. Our commitment to delivering highly reliable services is achieved by:

- Operating a modern all cargo fleet
- Presenting a greater choice of transportation opportunities by continually expanding ABC's global route network
- Creating confidence and trust in ABC's ability to consistently maintain the highest quality of service
- Investing in a professional, global team of experts based in every operating region

AirBridgeCargo has been recognized with a series of leading industry awards for the quality of its performance.

Awards





You like efficiency at its best.

AirBridgeCargo operates a modern, efficient and capable fleet of Boeing 747 freighters.

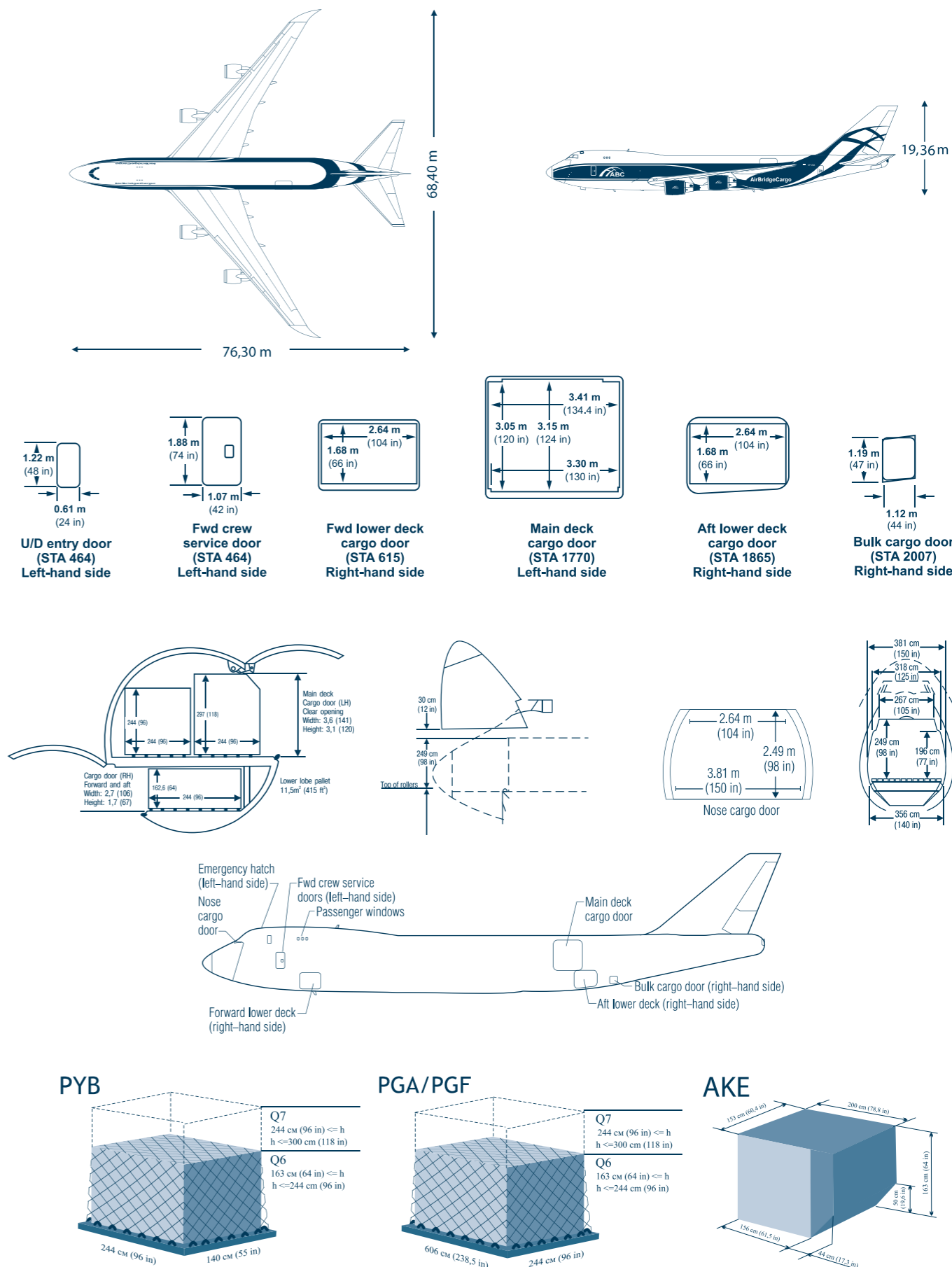
Currently, its fleet consists of 18 Boeing 747 freighters, comprising four Boeing 747-400ERFs, three B747-400Fs, and eleven of the latest generation Boeing 747-8Fs. The new generation 747-8 freighter offers an increased payload capacity of up to 133 tons on a single flight and can accommodate cargoes of up to 45 meters in length. AirBridgeCargo's services are also complemented by express and regional services, operated with three Boeing 737-400s.

ABC's all-Boeing fleet offers a number of important customer benefits:

- Access to maindeck cargo capacity across AirBridgeCargo's entire global network
- 747: nose-door loading for oversized cargo and priority loading
- 747: separate cargo compartments with temperature settings of between 4°C to 29°C
- 747: lower CO₂ emissions

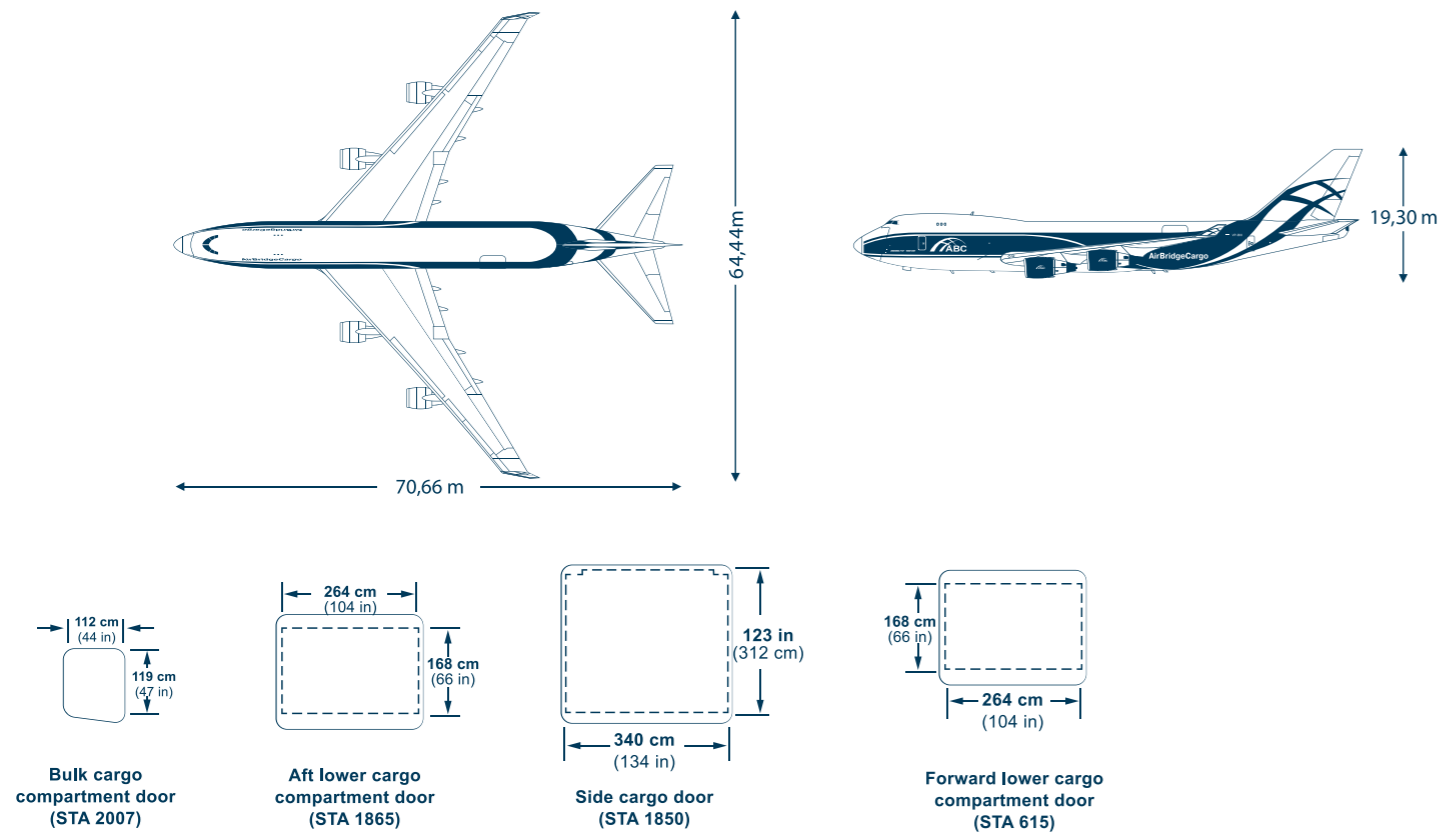
Loading dimensions of B747-8F

Maximum takeoff weight: 447,695 kg | 975,000 lb | Maximum landing weight: 329,761 kg | 761,000 lb



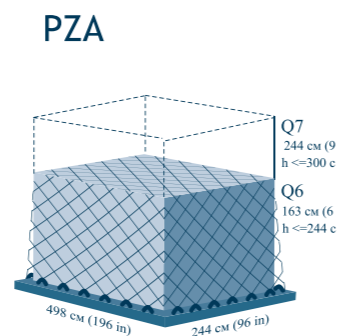
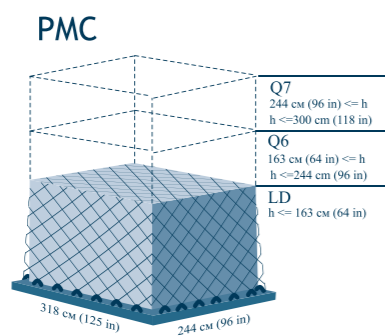
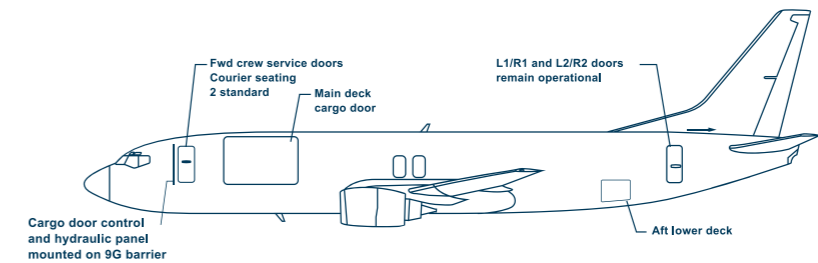
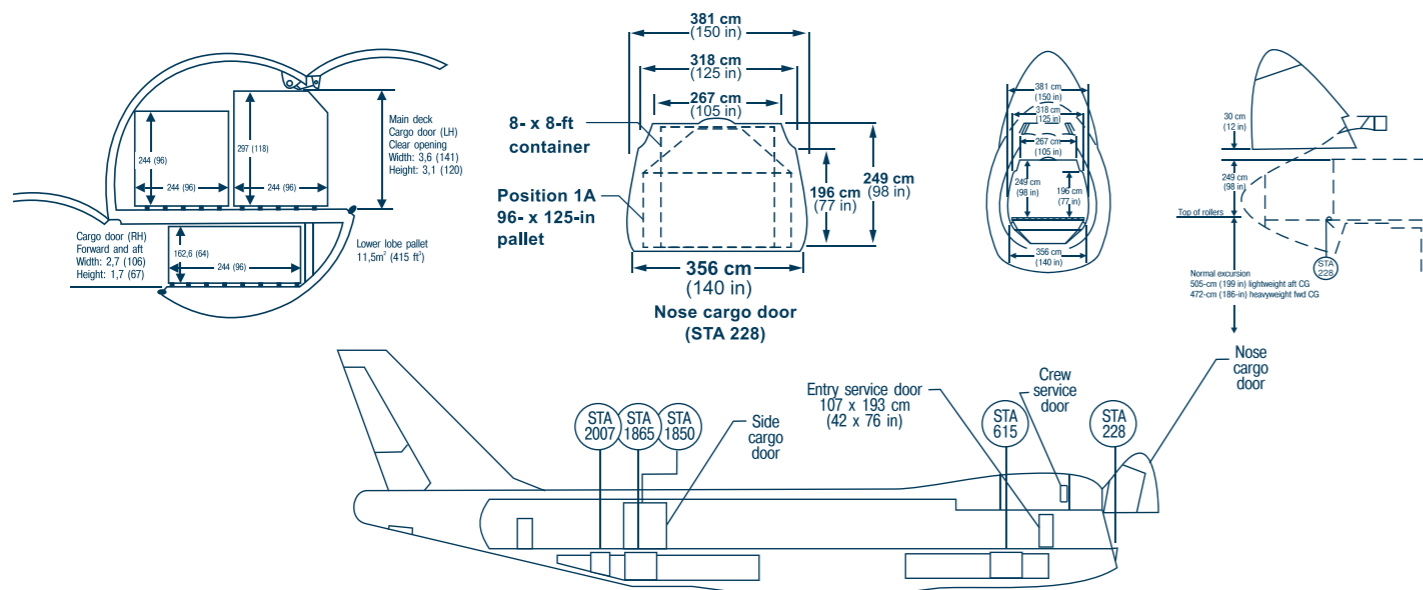
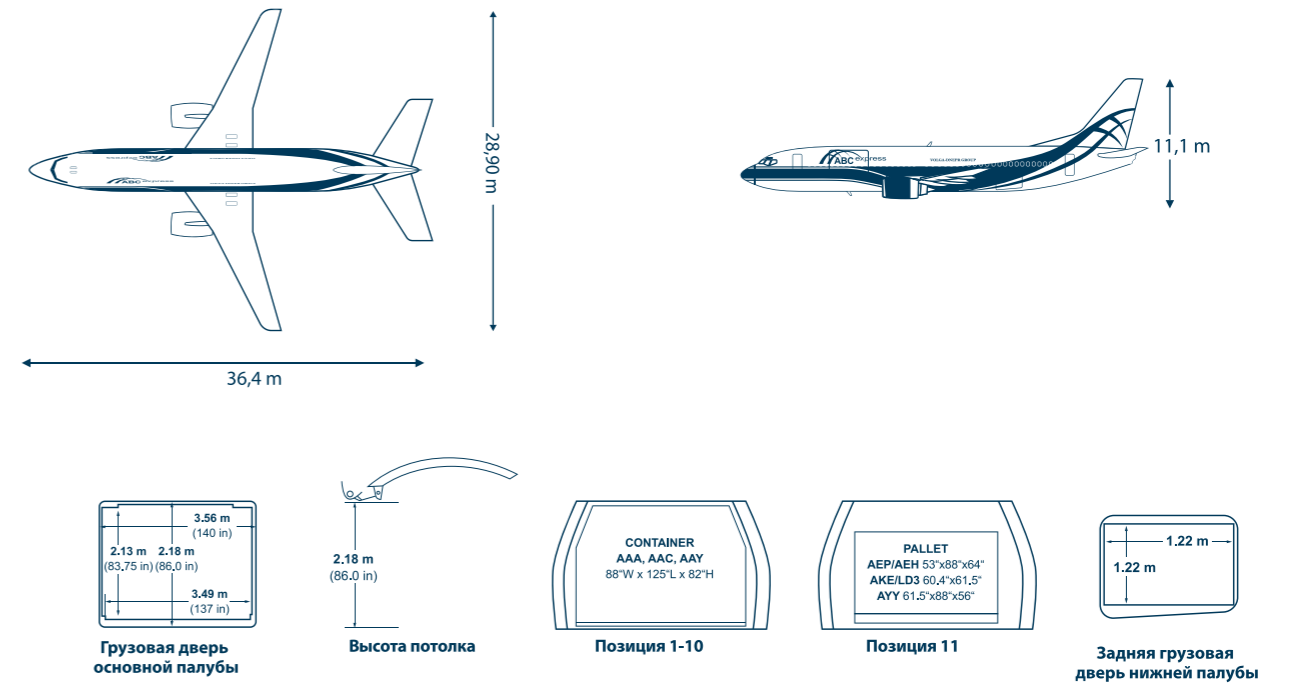
Loading dimensions of B747-400

Maximum takeoff weight: 412,769 kg | 910,000 lb | Maximum landing weight: 296,195 kg | 653,000 lb



Loading dimensions of B737-400SF

Maximum takeoff weight: 65,090 kg | 143,500 lb | Maximum landing weight: 55,338 kg | 122,000 lb



Cargo volume		B747-400	B747-8F	B737-400SF
Main Deck Volume	m ³ (ft ³)	607.7 (21,462)	692.7 (24,462)	121.5 (4,289)
Pallets, total number	q-ty	30	34	10+1
Lower Hold Volume	m ³ (ft ³)	158.5 (5,600)	150.9 (5,300)	-
Bulk	m ³ (ft ³)	14.7 (520)	14.0 (496)	-



You like knowing the possibilities are endless.

AirBridgeCargo's extensive network provides customers with the opportunity to connect their production and consumption centers in the most efficient way. Its hub network model, with flight connectivity in Moscow, offers a wide choice of origin and destination cities and enables customers to access connections within a 48-hour delivery time, including cargo handling.

Connecting customers to the world's largest cargo markets

The airline's network covers Europe and the Middle East, Asia, Northern America and Russia and CIS. Currently, AirBridgeCargo performs over 300 weekly flights from its online stations worldwide, both via the airline's hub in Moscow and directly.

ABC's global network is complemented by the scheduled flights of ABC's interline partners and extensive trucking services.



You like thinking the way forward.

Safety, Security, Quality

Safety, Security, Quality – these are the three pillars, the foundation of our business. As one of the leading cargo airlines worldwide, it is our mission to be at the forefront of the latest technological advances and industry developments.

Here's what we do to achieve and maintain our promise:

Safety

Safety always comes first for us. We want to make sure nobody is harmed during the transportation of your cargo – whether up in the air or on the ground. From our own safety program and corporate policy to international standards and aviation accident prevention systems, we work hard to ensure safety at each step of transportation.

- ABC's internal flight safety management and aviation accident prevention code is based on ICAO's accident prevention manual and strict internal standards.
- Active member of International Air Transport Association (IATA) and its programs designed to improve safety, quality, and efficiency in the air cargo supply chain.
- OSA Registered Operator, an operational safety audit for global safety management in airlines
- CargoIQ member, a program that has the goal of implementing a new quality management system for the worldwide air cargo industry.

Security

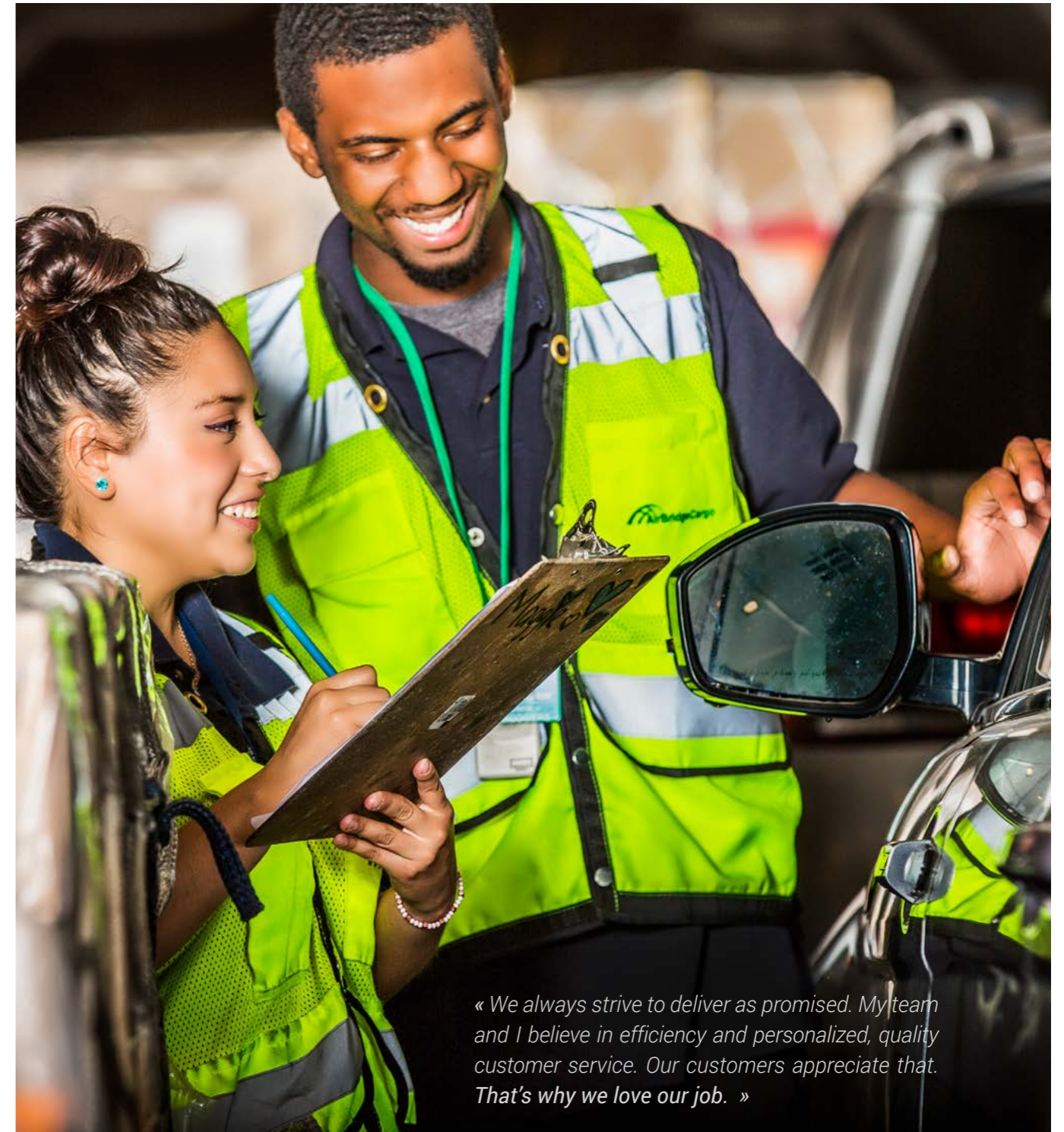
International aviation security standards and an innovative monitoring system are at the heart of ABC operations – and they guarantee our high level of security.

- ABC's cargo safety and security program was founded on the company's stringent internal company processes for every stage of the cargo delivery process, managed centrally at ABC's Moscow hub.

Quality

Quality is at the core of our business principles. This principle goes hand in hand with reliability, safety and security.

- A modern, up-to-date freighter fleet of Boeing 747-400F and B747-8F
- Member of the Cool Chain Association, an association designed to improve the quality of the temperature sensitive supply chain.
- IATA CEIV Pharma certification, confirmation that quality procedures for the transportation of pharma products, including temperature sensitive goods, fully comply with IATA's standards.
- On-Time Performance (OTP) – developing 'best-in-class' OTP for customer is another daily focus for ABC, which operates a high 'Delivered as Promised' index at the level of 80% across its global network, and an even higher achievement level on certain routes.



« We always strive to deliver as promised. My team and I believe in efficiency and personalized, quality customer service. Our customers appreciate that. That's why we love our job. »

Investing in our people

ABC's global team of experienced air cargo professionals unites over 1,300 employees around the world, and brings together local market knowledge and expertise with a global business understanding of how to consistently deliver value to ABC's customers. The airline combines the ambitious young talent within Volga-Dnepr Group with the extensive experience of its top industry professionals to achieve a fresh outlook on the industry and customers' current and future needs. This way, ABC ensures proactive, dynamic and professional services.





« At ABC, we work hard to find new ways to constantly improve our cargo operations. Our team is made up of bright minds that create fresh ideas to leave a lasting, sustainable mark on our customers' businesses. That's why we love our job. »



You like knowing you're in qualified hands.

Supporting customers worldwide

The success of its customers is the success of AirBridgeCargo. Transparency, future-oriented thinking and business partnerships based on trust as well as a hard-working mentality make ABC unique in an industry that is dominated by technology and performance. AirBridgeCargo is made up of people working with other people, and ABC's knowledgeable cargo experts are always happy to go the extra mile to deliver value to the business interests of customers.

To ensure fast and proactive customer support and direct feedback on every shipment, ABC has sales offices in locations across the entire network. The airline takes responsibility for cargo shipments from the beginning to the very end. AirBridgeCargo also offers additional services: capacity reservation and priority booking, the possibility to charter airplanes, on-board supervision,



TAKING YOUR BUSINESS FURTHER.

support with customs clearance and more. Apart from that, the company has chosen GSA agents with proven reputations to guarantee delivery solutions for off-line sales where and when needed.

Commercial organizational structures with centralized management functions in joint Volga Dnepr Groups' offices enable ABC to provide customers with a full range of logistics solutions using the Volga Dnepr 'cargo supermarket' concept. Customers' trust in AirBridgeCargo enabled the airline to be recognized as the 'Best All-Cargo Airline' by the Asian Freight, Logistic and Supply Chain Awards in 2017 and 2016, 'Best Overall Performance 2016' by Anama Quality Awards, and 'Best Overall Carrier and Charter Operator of 2015' by Payload Asia Awards.



You like logistics that redefine what's possible.

Products & Services for customers

The excellent operating advantages of ABC's freighter fleet, the performance of the airline's highly-skilled personnel, and constant improvements of its internal processes enable the airline to carry all types of air cargo in full compliance with global industry standards.



Oversize and heavy cargo

End-to-end logistics solutions based on Volga-Dnepr Group's 27 years of expertise in unique, heavyweight and oversized cargo transportation.

- On-site technical manufacturer's inspection and consultation
- Highly customized logistics solutions (from design and manufacture to packaging and delivery)
- Nose door loading capabilities
- Certified, highly skilled staff across the entire network
- Door-to-door solutions
- 3D modeling for load planning of complex shipments
- Possibility of cargo attendants on board and at shipper's site
- Special operating procedures for the transportation of aviation engines
- Full compliance with IATA, ICAO, Boeing guidelines and internal safety policies
- Enhanced security measures and 24/7 surveillance of shipments
- Customer service support, online track&trace option for all shipments

Aerospace Industry Specialized solutions:

- Commercial aviation aircraft engines, in compliance with manufacturer handling guidelines
- Vast experience in the transportation of satellite systems, small aircrafts, fuselages, stabilizers, ailerons, etc.
- Express delivery of AOG spare parts

Oil & Gas Industry Specialized solutions:

- Carriage of pipes, generators, pumps and other extremely large and heavy drilling or offshore equipment
- Dedicated charter services or re-routing in case of rig down situations





abc | DG

- Full compliance with IATA Dangerous Goods Regulations and ICAO Technical Instructions for the Safe Transport of Dangerous Goods by Air, Doc 9284 AN/905
- Fully certified to transport all Classes of dangerous goods, including explosives and radioactive materials
- Acceptance of all types of lithium metal and lithium-ion batteries, both single and in an equipment, including cases under special provisions A88, A99
- Transportation of hybrid vehicles with lithium-ion battery engines
- Possibility to obtain exemptions and approvals for carriage of certain goods
- Certified and trained personnel across the entire ABC network
- Highly customizable logistics solutions
- 24/7 surveillance of shipments



abc | DGLi⁺

- ABC services for transportation of Lithium batteries
- Acceptance of all types of lithium metal and lithium-ion batteries, both single and in an equipment, throughout entire ABC network, including cases under special provisions A88, A99
- No additional restrictions on transportation of lithium batteries
- Assistance with testing for safe transportation and obtaining of respective report (*UN Manual of Tests and Criteria, Part III, subsection 38.3*)
- Special training course 'Transportation of lithium batteries' by certified trainers
- Advisory support with respect to ready-for-carriage procedures



abc | care

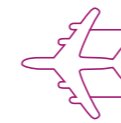
- Full compliance with IATA AVI regulations and other relevant international standards
- Controlled temperature zones to ensure the comfort, safety and well-being of the animals on-board
- Special handling facilities at every gateway for a smooth and qualified handling with authorized access for approved staff only
- Attention to every detail - from horse stalls, kennels, ventilation and stocking densities to documentation and communication. ABC will provide full information concerning export and import requirements (including permits), veterinary health inspections, quarantine regulations, trans-shipment requirements or any other restrictions
- Highest priority for booking and cargo loading as well as quick transit times
- All handling and transport processes are adapted to the special requirements of the animals carried
- Cargo attendants accompanying live animals on-board to control animal health and well-being
- AVI licensed Live Animal Advisory specialists
- Assistance with all documentation and IATA Live Animal Regulations' requirements
- Cooperation with local authorities to ensure fast and efficient processes at origin and destination
- Possibility to rent special transport containers including horse stalls and kennels
- More than 14 years of experience, including the safe transportation of racehorses, dolphins, whales, elite breeding stock, cattle, tigers and bear cubs



abc | fresh

- ABC's team of perishable cargo experts is ready to undertake any challenge
- Shortest acceptance and transit times as well as highest priority during booking and loading
- Compliance with all applicable guidelines including IATA regulations
- Possibility to provide required examinations by local phytosanitary and veterinary authorities under temperature controlled conditions
- To ensure constant temperature control, ABC offers:
 - » Temperature controlled environments in handling facilities, majorities of stations and during the entire flight
 - » Freezers, cool facilities and refrigeration trucks can be organized at the majority of ABC stations
 - » Temperature controlled cells at the SVO hub
 - » Availability of thermal blankets
- State-of-the-art aircraft features, including environmental control systems to reduce humidity, control pressure and set independent temperature zones





BECAUSE YOUR MISSION MATTERS TO US.


Furthermore, ABC offers the following specialized services for healthcare shipments:

abc PHARMA Active is the solution for time and temperature sensitive pharmaceutical products that need to be shipped in active containers. A variety of containers is used to keep healthcare goods as protected as possible, including dry ice technologies. Goods shipped are kept at a constant temperature throughout the entire cargo journey. Use of active containers mitigates risks for ambient temperature influence on healthcare products.

abc PHARMA Passive is a solution for prepackaged pharmaceutical products. Within required temperature ranges and by seasonal consideration of routes, healthcare goods are shipped efficiently and effectively.



- Dedicated, skilled staff trained in handling healthcare products
- Boeing 747-8 and 747-400 with three compartments enabling different temperature settings from 4°C to 29°C
- Full compliance with IATA TCR and CEIV certification
- ABC has gained Envirotainer QEP accreditation for its online stations
- Exact temperature monitoring from acceptance to delivery
- Special packaging solutions and thermal blankets for palletized shipments
- Adoption of the latest digital technologies (Sky Fresh for automated notifications, temperature data loggers to monitor consignment conditions, etc)
- Customer service support, online track&trace option for all shipments
- High-tech pharma hub at Moscow Sheremetyevo International Airport with effective connections to deliver cargo worldwide
- Tailor-made logistics solutions based on your individual requirements
- Sophisticated, cohesive and forward-thinking approach based on peer learning and networking through industry-related initiatives - Pharma.Aero, Pharma Gateway Amsterdam (PGA) and others

SPECIFICATIONS	abc PHARMA ACTIVE	abc PHARMA PASSIVE
Active Control Containers* 	+	-
B747-400 / B747-8 with 3 independently controlled temperature zones	+	+
High priority for booking and cargo loading	+	+
Thermal blankets	-	On request
SOP with Customers **	On request	On request
Special supervision	+	On request
Temperature monitoring during freight transportation chain	+	On request
Dedicated and qualified airline personnel	+	+
Route network	Active containers approved	On request

* - Envirotainer containers + cSafe containers + Dokasch containers ** - Standard Operational Procedures

Additional services are available on request, please contact: pharma@airbridgecargo.com



Valuable shipments travel safely and reliably with us

ABC SERVICE FOR VALUABLE CARGO

All your shipments are special to us, but some require extra special handling. From artwork to jewellery and beyond, we handle your valuable cargo with absolute discretion and confidentiality and guarantee it will get to its destination safely. We work hard to offer our customers exceptionally high security standards and 24/7 security surveillance of all valuable shipments. At AirBridgeCargo, you get that extra peace of mind. Always. Worldwide.



Expertise:

- More than 20 years of specialized experience and expertise in transporting valuable goods
- 24/7 security monitoring from acceptance to delivery
- Certified and experienced staff across the entire ABC network
- Full compliance with national and international security relevant procedures and internal/external safety regulations
- Strict discretion and confidential handling
- Qualified and experienced specialists at all ABC stations worldwide
- Throughout all the transportation chain, our experts ensure the safe handling of the goods, preventing any possible damage (mechanical shocks, adverse weather conditions, etc.)

We also offer:

- Possibility of cargo attendants to accompany and monitor theft endangered goods on board
- Full freighter fleet with state-of-the-art temperature control system (+4 to +29°C)
- Full transparency at each stage of transportation coordinated by our dedicated Control Tower (24/7) and supported by an online Track & Trace system at www.airbridgecargo.com
- Additional security measures in Sheremetyevo cargo hub in Moscow:
- High-tech goods and ULD are inspected for any damage visually or with the use of special tools
- In case of detection of any damage, ABC representative is informed immediately
- Video surveillance during the entire process of loading and unloading process
- In case of tail-to-tail operations at least two aviation security officers are present at the time of offloading, transporting and reloading on board another aircraft

Our aircraft

- Our aircraft have a state of the art environmental control system that allows to reduce the humidity, control the pressure and set four independently controlled temperatures in the cargo compartments
- Our fleet of 747 freighters allows us to transport cargo up to 40 meters long | up to 3.8 meters wide | up to 3.15 meters high | up to a weight of 57,000 kg

We move valuable cargo with knowledge and discretion

Throughout the entire journey, our cargo experts work closely together to ensure the safe and reliable handling of all valuable goods to prevent any possible damage, including mechanical shocks and adverse weather conditions. You can always count on us and we guarantee a safe and secure transport of all exclusive and theft endangered items.

Special attention for special cargo



CONTROL TOWER

AirBridgeCargo Airlines has established a new 24/7/365 Control Tower (CT) operation to monitor consignments of special cargoes and to proactively respond to service disruptions to ensure it consistently meets customers' delivery deadlines.

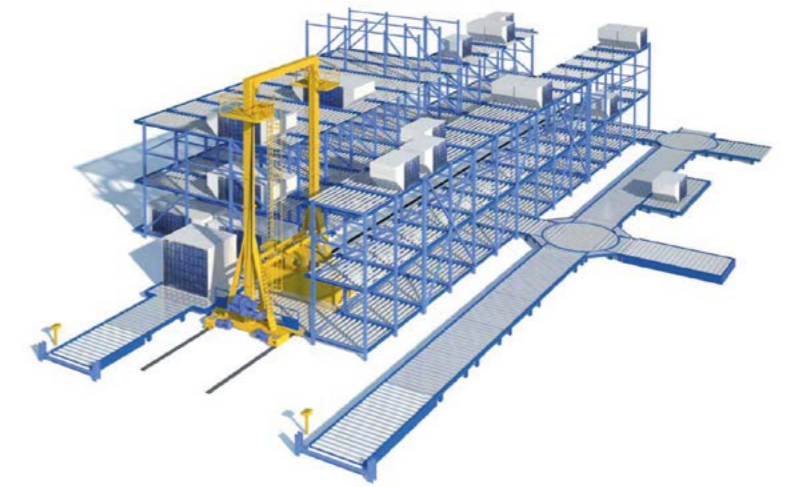
Managed by a team of fully trained supply chain specialists and based in Moscow, HQ the Control Tower provides:

- real-time, round-the-clock monitoring of all cargo movements throughout the entire transportation process across ABC's network
- checkup of ABC's fleet technical condition (temperature control system, cargo handling system readiness)
- schedule alignment and control for priority delivery of special cargo
- communication with ABC specialists from different departments and customers in case of deviations for prompt response
- cargo status updates and reports
- CT personnel availability 24/7 via e-mail, skype or direct phone line



Our SVO Moscow Hub

ABC's Moscow hub at Sheremetyevo airport features modern equipment in each warehouse, allowing for efficient, seamless and safe handling of any type of cargo - from live animals to dangerous substances and beyond. Our decision to develop SVO Moscow hub was an important milestone in the history of the company and a strategic step on our path to become a network carrier. Our hub network model and flight connectivity in Moscow lets our customers access connections within a 48-hour delivery time - including handling. The cargo terminal facilities have direct access to the airside apron, facilitating a seamless flow of cargo.

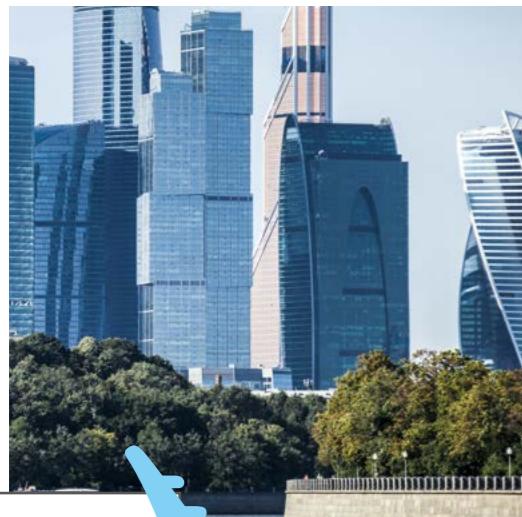


Hub facilities

- 3 warehouses in SVO
- 20 000 sq m – total area of warehouses in SVO
- first automated cargo handling system in Russia with three-dimensional cargo handling on several levels
- 24/7 video surveillance
- 137 cameras
- 99,98 Safety index
- TAPA certified
- Refrigerators for perishable cargo
- 380 cub m area for temperature controlled cargo
- Temperature control from -30C to +10C
- Dedicated pharmacy warehouse
- Dedicated area for dangerous goods

Cargo enhanced security

- High-tech goods and ULD are inspected for any damage by visual inspection or with the use of special tools
- In case of detection of any damage, an ABC representative is informed immediately
- The entire process of loading and unloading is under video surveillance
- In case of tail-to-tail operations at least two aviation security officers are present at the time of unloading, transporting and loading on another board
- Two security officers are permanently on duty to protect cargo, cargo storage and bandwidth access mode at the warehouse
- Dedicated area for dangerous goods



Get in touch with us.

RUSSIA

Moscow Head Office

Building 3, 28B, Mezhdunarodnoe road,
Business center "Skypoint",
Moscow, Russia 141411
Tel.: +7 495 7862613
Fax: +7 495 7556581
E-mail: info@airbridgecargo.com

EUROPE

Germany | Frankfurt am Main

CargoCity South, Bldg. 534/6th floor
D-60549 Frankfurt am Main
Tel.: +49 69 638 097 –100
Fax: +49 69 638 097 –101
E-mail: service.fra@airbridgecargo.com

Germany | Munich

Frachtstrasse, Frachtbuerogebaeude, Modul B,
Room 319
D-85356 Munich Airport
Tel.: +49 89 2000 531 – 0
Fax: +49 89 2000531 – 99
E-mail: service.muc@airbridgecargo.com

Germany | Berlin

Hauptstrasse 2
D-14979 Grossbeeren
Tel.: +49 33701-2663 20
Fax: +49 33701-2663 99
E-mail: cornelia.korsch@airbridgecargo.com
E-mail: service.lej@airbridgecargo.com

Luxembourg

22, rue Gabriel Lippmann
L-5365 Munsbach
Tel.: +352 2040 7747 70
E-mail: service.fra@airbridgecargo.com

France | Paris

AirBridgeCargo Airlines
Zone de Fret 6
20, rue du Pavé / Bat B4
95704 Roissy CDG, France
Phone : +331 74 25 06 03
E-mail: service.cdg@airbridgecargo.com

Netherlands | Amsterdam

Anchorageaan 50
1118 LD Schiphol Airport
Tel.: +31 20 654 9030
Fax: +31 20 654 9044
E-Mail: sales.ams@airbridgecargo.com

Italy | Milan

Via Monzese, 34
20060 Vignate (MI), Italy
Tel.: + 39 02 959395140
E-mail: service.mxp@airbridgecargo.com

Spain | Zaragoza

Airnautic Spain– General Sales Agent of
AirBridgeCargo Airlines
Edificio de Servicios Generales, Of.A-314
08820 El Prat de Llobregat, Spain
Tel.: +34 93 829 24 70
E-mail: c.martinez@airnautic.aero
E-mail: eric.lamare@airbridgecargo.com

USA

CHICAGO

836 Patton Drive
Building E, Suite 237
Building D (From Export & drop station)
Chicago, IL 60666
Tel: +1 773 800-2361
Sales/customer service:
E-mail: abcsales.ord@airbridgecargo.com
E-mail: service.usa@airbridgecargo.com

DALLAS

Suite 295 - Building 300
1639 W. 23rd Street
DFW Intl Airport, TX 75261
Phone - Export: +1 469 629 0479
Phone - Import: +1 214 296 03 74
Sales/customer service:
E-mail: abcsales.dfw@airbridgecargo.com
E-mail: service.usa@airbridgecargo.com

LOS ANGELES

5761 W Imperial Hwy
Los Angeles, CA 90045
Tel: +1 310 258 6100 ext. 3902, 3903, 3904, 3905
For import enquiries: abccops@mercuryair.com
Sales/customer service:
E-mail: abcsales.lax@airbridgecargo.com
E-mail: service.usa@airbridgecargo.com

ATLANTA

PO Box 20716
Atlanta, GA 30321
Sales/customer service:
Phone: 1 404-766-3545
E-mail: abcsales.atl@airbridgecargo.com
E-mail: service.usa@airbridgecargo.com

CHINA

HONG KONG

Room 430, 4/F.South Office Block, Super Terminal
One Hong Kong International Airport,
Chep Lap Kok, Hong Kong
Tel.: +852 2215 3928
Fax: +852 2215 3878
E-mail: service.hkg@airbridgecargo.com

BEIJING

Room 2006B, Air China Plaza
No 36 xiaoyun Road
Chaoyang District,
Beijing 100027.PRC
Tel.: +86 10 8447 5936/37/38
Fax: +86 10 8447 5935
E-mail: service.pek@airbridgecargo.com

SHANGHAI

Room 3105, Shanghai Maxdo Center,
8 Xingyi Road, Shanghai,
P.R. China 200336
Tel.: +86 21 52080011
Fax: +86 21 52080508
E-mail: service.pvg@airbridgecargo.com

ZHENGHOU

RM525 Domestic Cargo Terminal, Xin Zheng
International Airport Zheng Zhou,
He Nan Province,P.R.China 451162
Tel.: +86 371 6851 2201
E-mail: service.cgo@airbridgecargo.com

Get in touch with us.

JAPAN

TOKYO

Onarimon Yusen Bldg 9F 3-23-5 Nishi-Shinbashi,
Minato-ku, Tokyo 105-0003

Tel.: +81 3 5777 4025

for service enquiries:

E-mail: service.nrt@airbridgecargo.com

for sales enquiries:

E-mail: sales.jpn@airbridgecargo.com

SOUTH KOREA

SEOUL

Room 604, 6th Floor, Seoul Center Building
116, Sogong-ro, Jung-gu,

Seoul, 04533, Korea

Tel.: +82 2 712 5803

Tel.: +82 70 4136 5804

E-mail: yb.ha@airbridgecargo.com

SINGAPORE

SINGAPORE

Room 238, Level 2, Core F, SATS AirFreight
Terminal 3

105 Airport Cargo Road

Singapore 819462

Tel.: +65 6214 9424

E-mail: service.sin@airbridgecargo.com

VIETNAM

HANOI

Room 343, ALS Cargo Terminal
Noi Bai International Airport

Soc Son District

Hanoi, Vietnam

Tel.: +84 38501339

Tel.: +84 902421339

E-mail: han.ops@airbridgecargo.com





That's why we love our job.

www.airbridgecargo.com